

Disc Brake Assembly Instructions

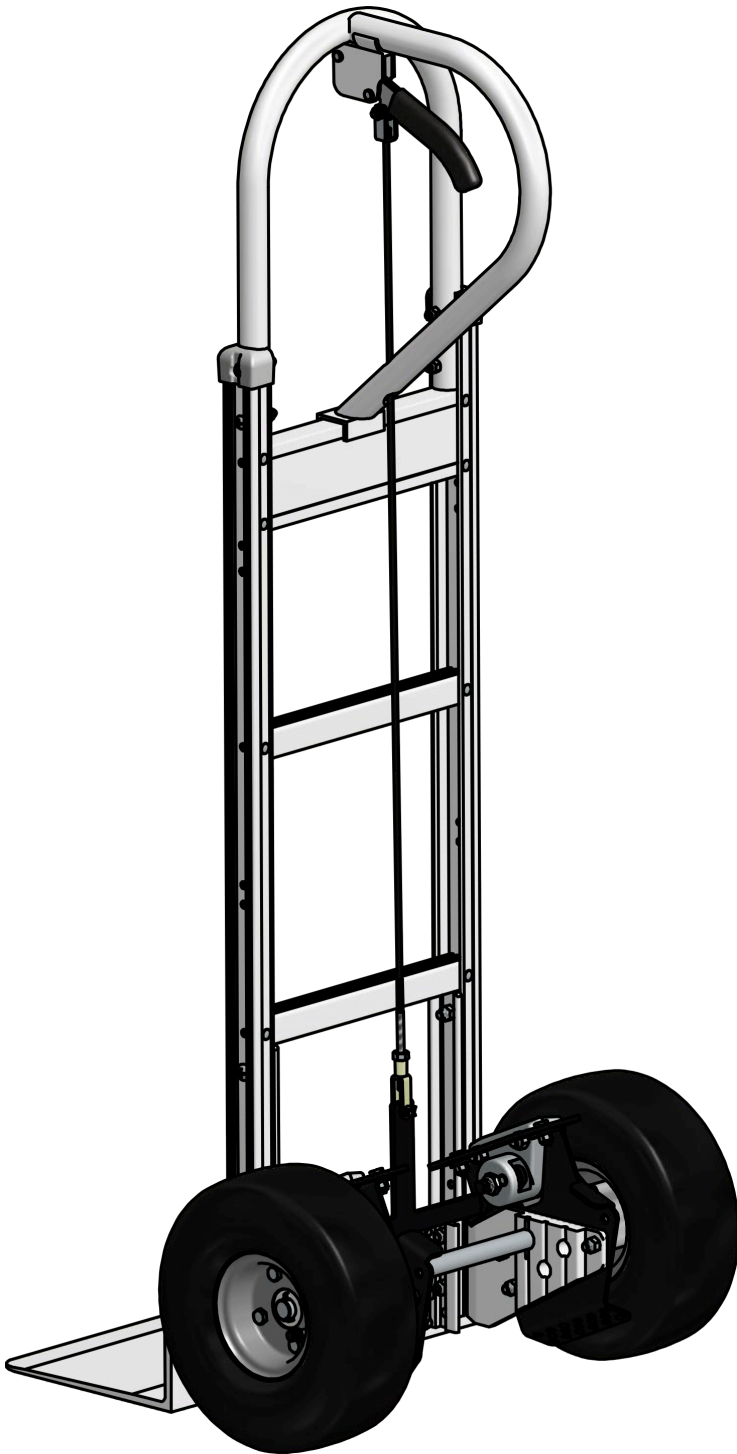


Table of Contents:

Lower Brake Components	2-4
Cable Brake Assembly:	
Brake Handle Components	5-7
Cable Assembly	8
Tee Handle Brake Assembly	9-10
Brake Adjustments	10

*Handle, frame, nose plate, and wheels will vary based on the options selected at the time of purchase.

www.bpmfg.com

8051 East Boon Road | Cadillac, MI 49601

(800) 334-7141

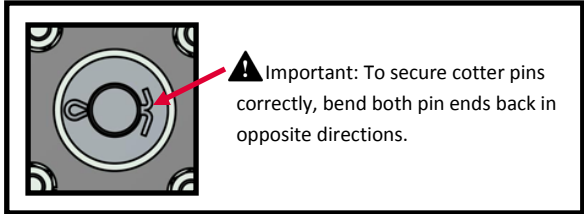
b&p Manufacturing
Engineered Delivery Products

Lower Brake Components

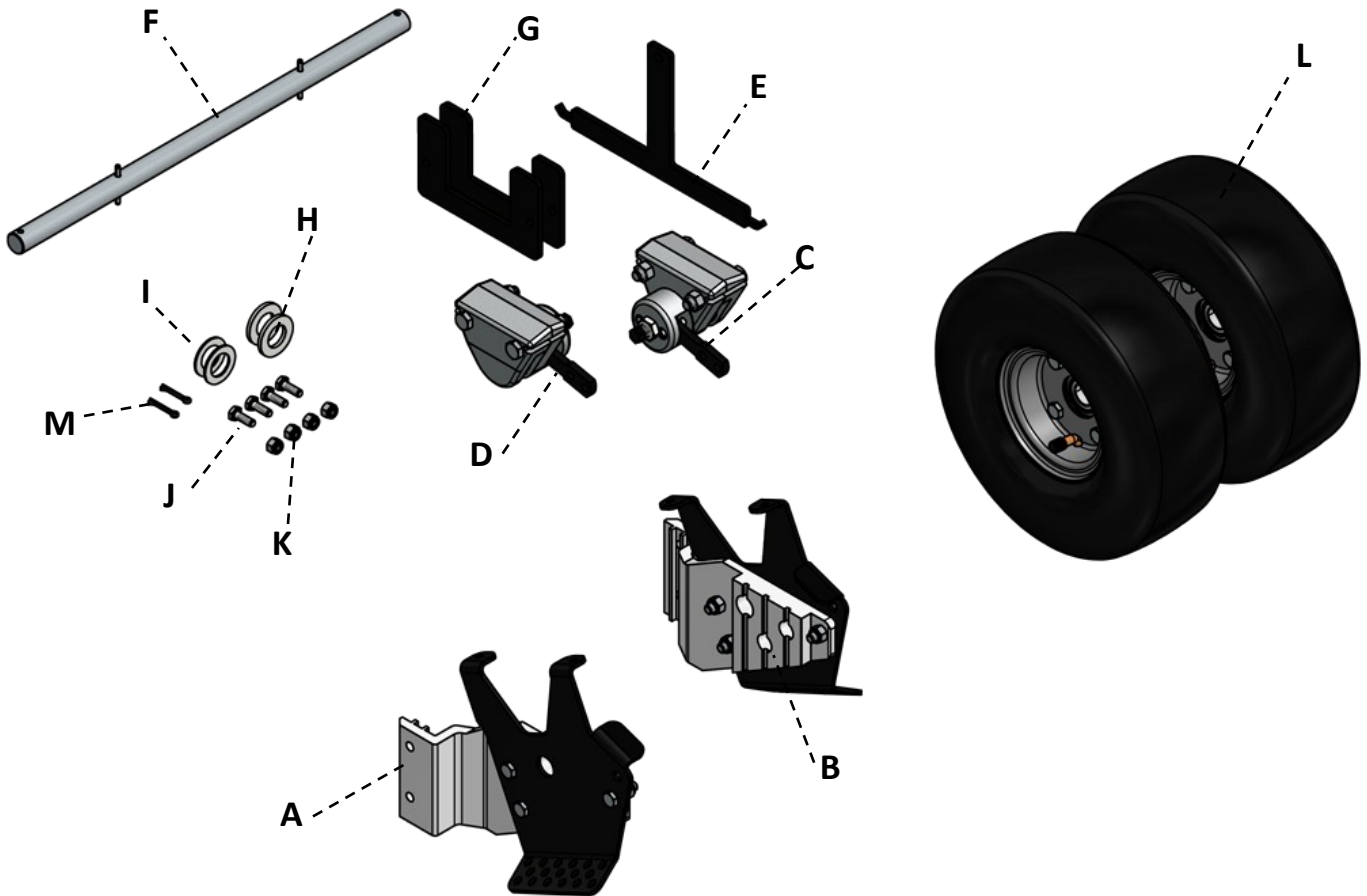
Item	Description	Qty.	Part No.
A	LH Axle Bracket Assembly	1	2006-119
B	RH Axle Bracket Assembly	1	2006-120
C	LH Brake Caliper	1	8227-001
D	RH Brake Caliper	1	8227-002
E	Pull Bar	1	2006-249
F	Axle	1	2006-223
G	Caliper Bracket	2	2006-702
H	Thick Washer, 3/4"	2	8003-013
I	Thin Washer, 3/4"	2	8078-013
J	Hex Head Screw, 1/4"-20 x 3/4"	4	8007-003
K	Lock Nut, 1/4"-20	4	8001-004
L	Wheel Assembly	2	2006-108*
M	Cotter Pin	2	8008-001

Tools Required:

- (1) 1/2" wrench
- (1) Needle nose pliers
- (2) 7/16" wrench/socket

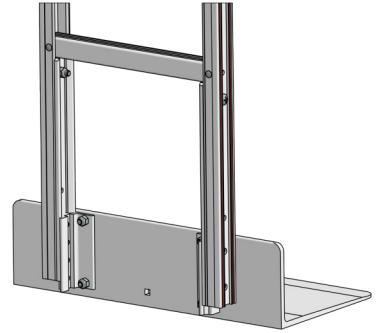


* Shown with D5 wheels, also available with D5F, D5G and D6 wheels

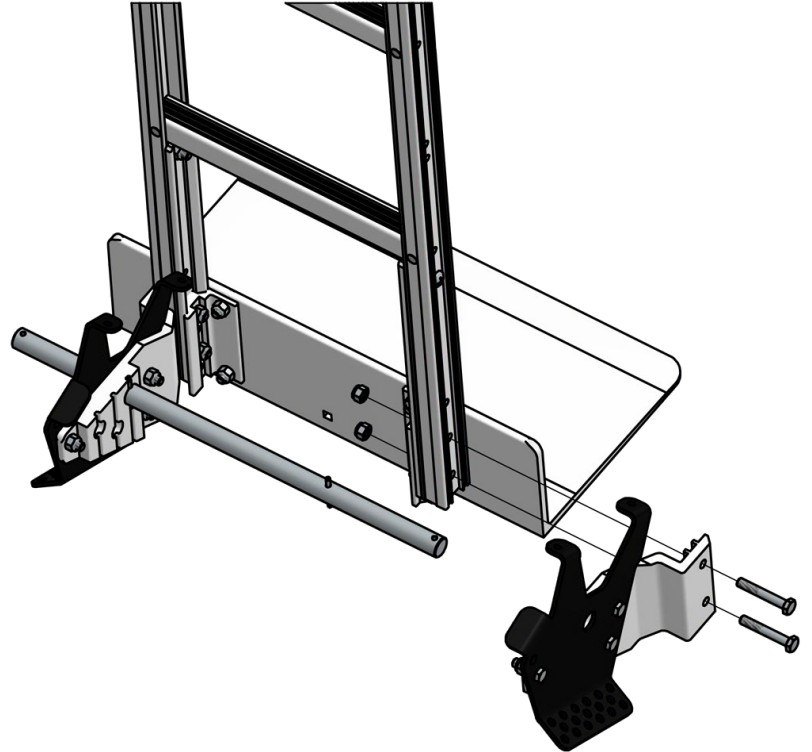


Lower Brake Components

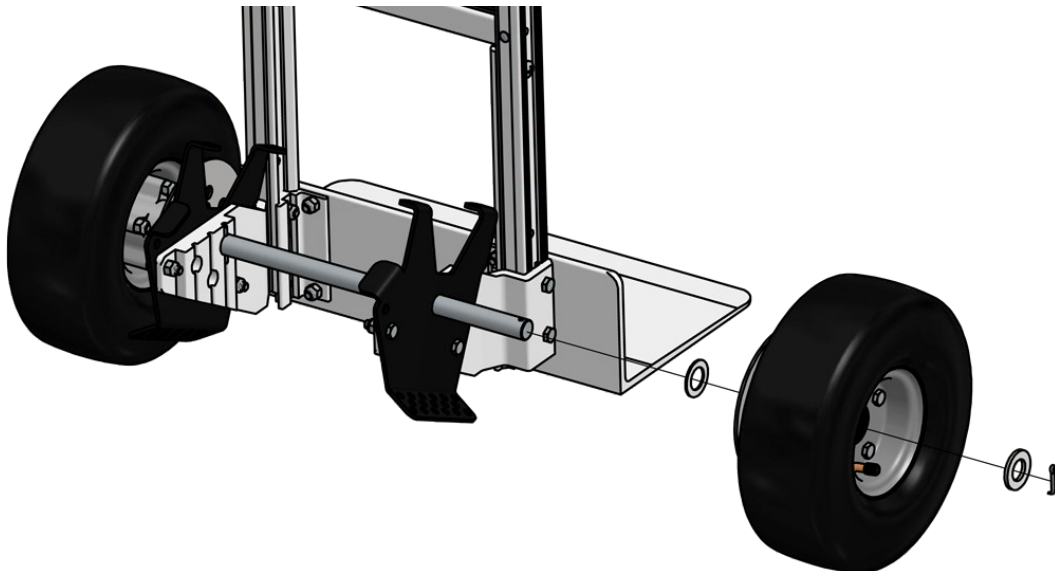
1. To add disc brakes to your hand truck first remove the old wheels, axle brackets and axle from the hand truck frame, setting aside the fasteners for future use.



2. Place the left (A) and right (B) axle bracket assemblies onto the frame and secure with the hardware from the removed axle brackets. Install one side at a time, placing the axle (F) between the brackets and aligning the spring pins with the slots in the brackets.



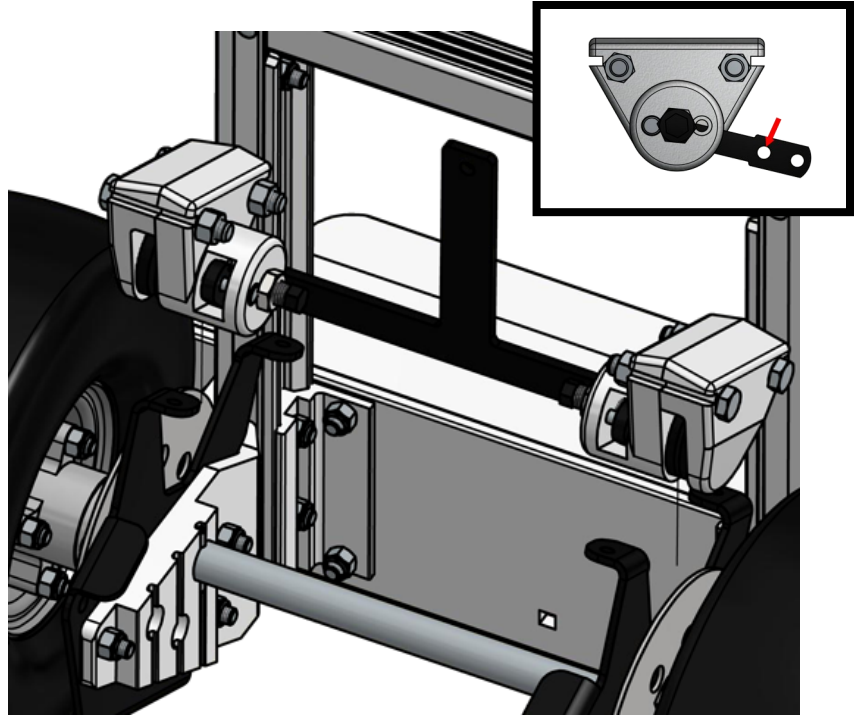
3. Install the wheel assemblies (L). Place one thin washer (I) onto the axle followed by the wheel. Place one thick washer (H) on the axle and secure to the axle with a cotter pin (M). Repeat for opposite side.



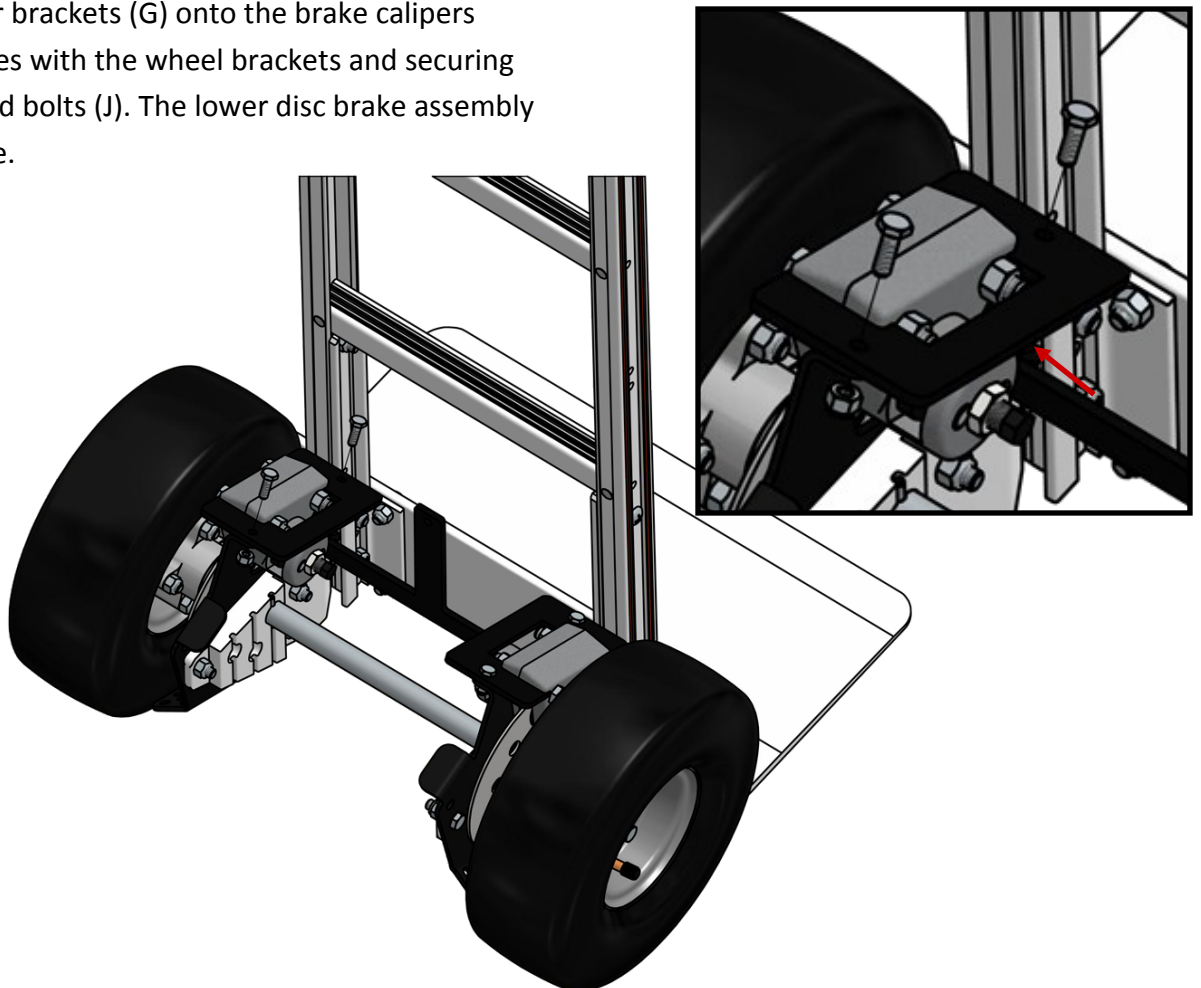
Lower Brake Components

4. Assemble the brake calipers (C,D) and pull bar (E) by inserting the pull bar in the hole closest to the calipers as shown in the diagram. Next, lower the calipers between the wheel bracket tabs, inserting the rotors between the brake pads, pointing the caliper lever arm towards the frame.

*Note: For tee-handle brake hand trucks pull bar (E) is replaced with pull bar (I) on pages 9 and 10.



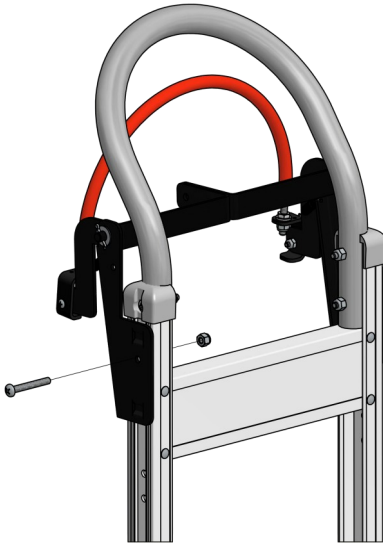
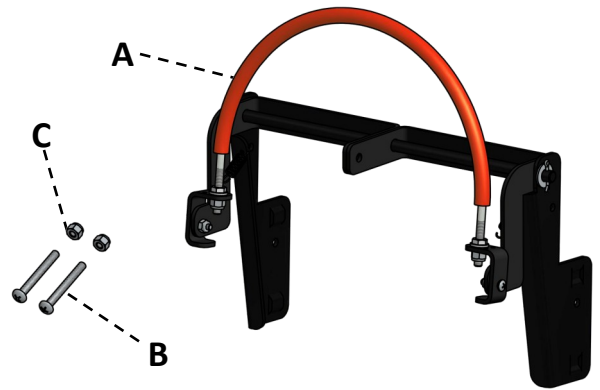
5. Slide the caliper brackets (G) onto the brake calipers aligning the holes with the wheel brackets and securing with nuts (K) and bolts (J). The lower disc brake assembly is now complete.



Cable Brake Handle Components

Loop Handles

Item	Description	Qty.	Part No.
A	Loop Handle Brake Assembly	1	2006-109
B	Pan Head Screw, 1/4"-20 x 2-1/4"	2	8068-014
C	Lock Nut, 1/4"-20	2	8001-004



A1 Handle

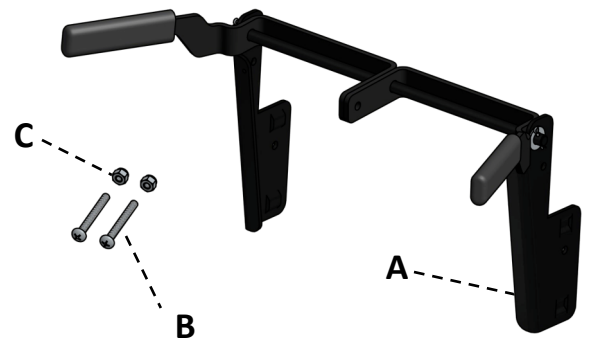
Tools Required:

- (1) #2 Phillips screwdriver
- (1) 7/16" wrench/socket

1. Remove existing handle fasteners from the 2 lower holes of handle/frame and discard.
2. Secure loop handle brake assembly (A) to frame/handle using 1/4"-20 x 2-1/4" screws (B) and nuts (C) provided, aligning the mount plate in the frame channel and adjusting the height of the grip as needed.

Double Grip Handles

Item	Description	Qty.	Part No.
A	Double Grip Handle Brake Assembly	1	2006-105
B	Pan Head Screw, 1/4"-20 x 2-1/4"	2	8068-014
C	Lock Nut, 1/4"-20	2	8001-004



A11 Handle Shown

Tools Required:

- (1) #2 Phillips screwdriver
- (1) 7/16" wrench/socket

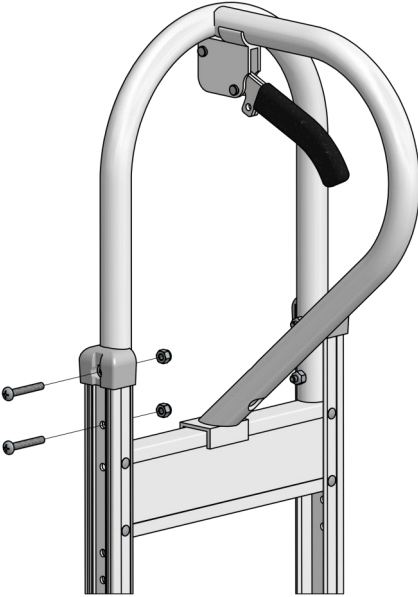
1. Remove existing handle fasteners from the 2 lower holes of handle/frame and discard.
2. Secure double grip handle brake assembly (A) to frame/handle using 1/4"-20 x 2-1/4" screws (B) and nuts (C) provided, aligning the mount plate in the frame channel and adjusting the height of the grip as needed.

Cable Brake Handle Components

Vertical Grip Handles

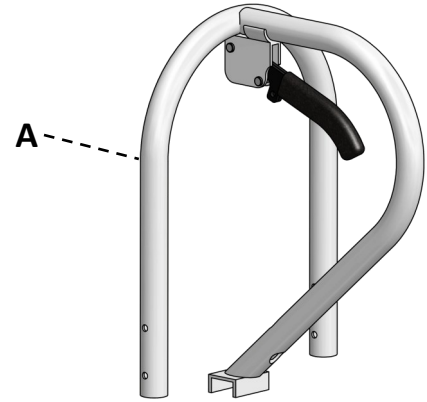
Item	Description	Qty.	Part No.
A	Vertical Grip Handle with Brake	1	Various*

A7 Handle Shown



Tools Required:

- (1) #2 Phillips Screwdriver
- (1) 7/16" wrench/socket



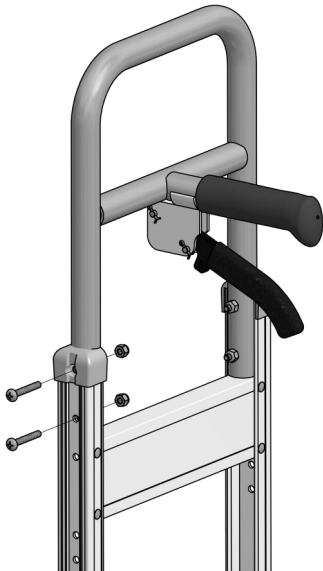
* Handle part number and size will vary based on the option ordered.

1. Remove existing handle fasteners and handle, saving nuts and bolts.
2. Attach new vertical grip handle with brake (A) to frame with previously removed nuts and bolts.

Single Grip Handles

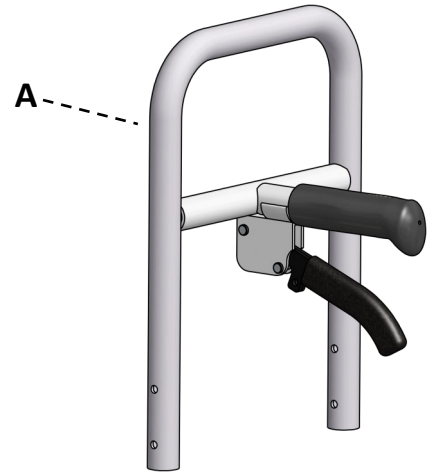
Item	Description	Qty.	Part No.
A	Single Grip Handle with Brake	1	Various*

A3 Handle Shown



Tools Required:

- (1) #2 Phillips Screwdriver
- (1) 7/16" wrench/socket



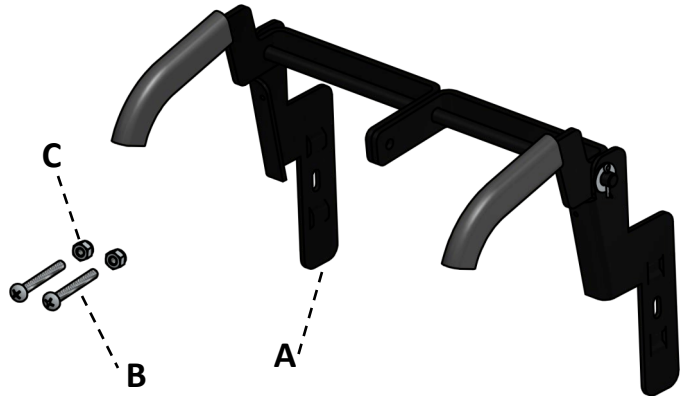
* Handle part number and size will vary based on the option ordered.

1. Remove existing handle fasteners and handle, saving nuts and bolts.
2. Attach new single grip handle with brake (A) to frame with previously removed nuts and bolts.

Cable Brake Handle Components

Double Vertical Grip Handles

Item	Description	Qty.	Part No.
A	Double Vertical Grip Handle Brake Assembly	1	2006-122
B	Pan Head Screw, 1/4"-20 x 2-1/4"	2	8068-014
C	Lock Nut, 1/4"-20	2	8001-004

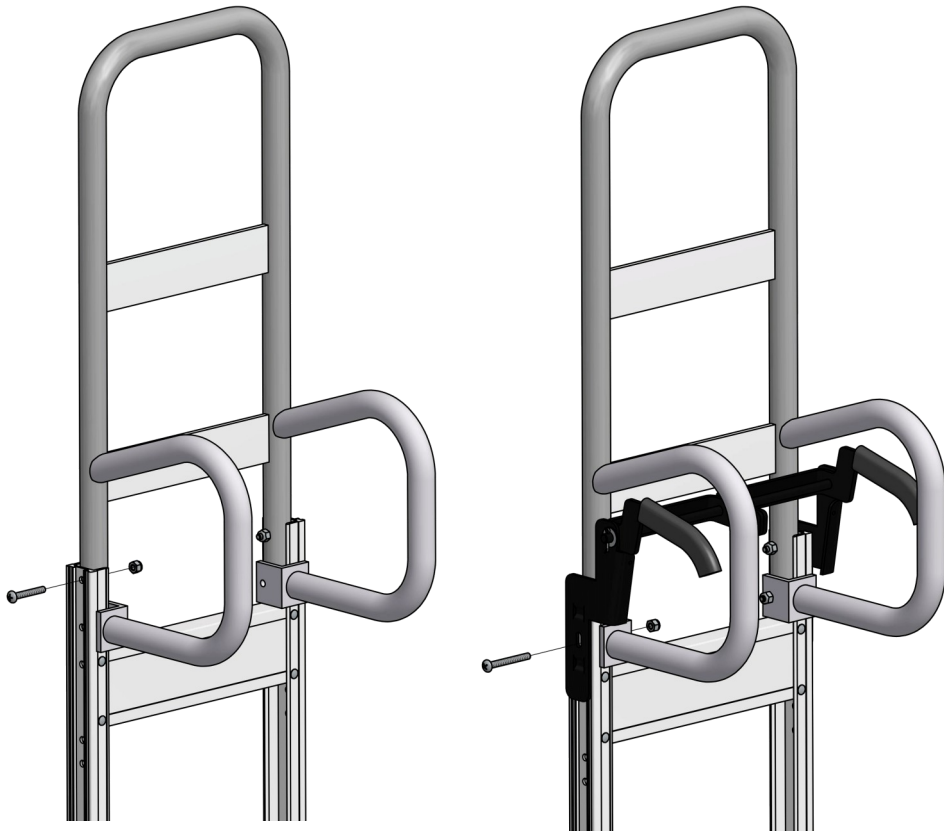


Tools Required:

- (1) #2 Phillips Screwdriver
- (1) 7/16" wrench/socket

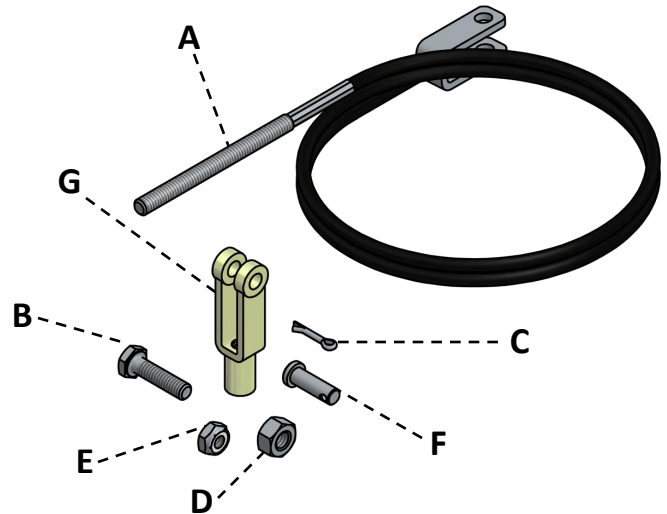
1. Remove existing handle fasteners from the handle/frame. Remove grey frame caps and discard, reattach nuts and bolts in the upper holes of the handle/frame.
2. Secure double vertical grip handle brake assembly (A) to frame/handle using 1/4"-20 x 2-1/4" screws (B) and nuts (C) provided, aligning the mount plate in the frame channel and adjusting the height of the grip as needed.

A57S Handle Shown



Brake Cable Components

Item	Description	Qty.	Part No.
A	Brake Cable	1	Various*
B	Hex Head Screw, 1/4-20 x 1"	1	8007-002
C	Cotter Pin, Small	1	8008-003
D	Nut, 1/4"-20	1	8020-004
E	Jam Nut, 1/4"-20	1	8055-004
F	Clevis Pin	1	8211-003
G	Yoke	1	8217-002

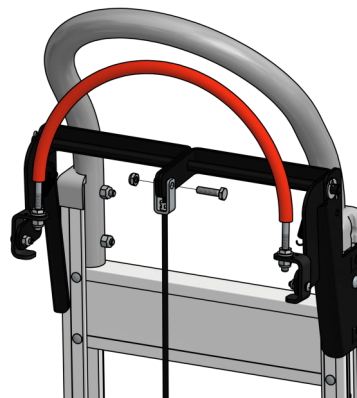


1. Attach brake cable (A) to the brake handle with bolt (B) and jam nut (E). Assembly will vary slightly based on the handle style. For vertical grip handles drop the cable through the hole in the handle before attaching to the lower assembly.

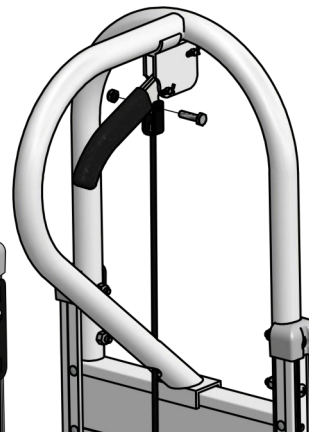
Tools Required:

- (1) Needle nose pliers
- (2) 7/16" wrench/socket

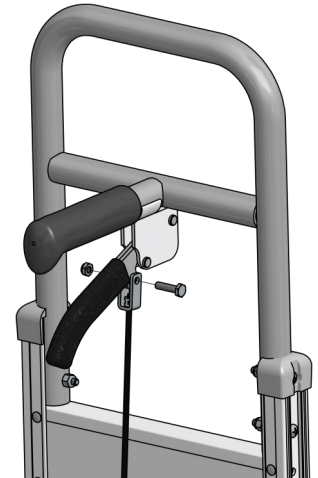
* Brake cable part number and size will vary based on the option ordered.



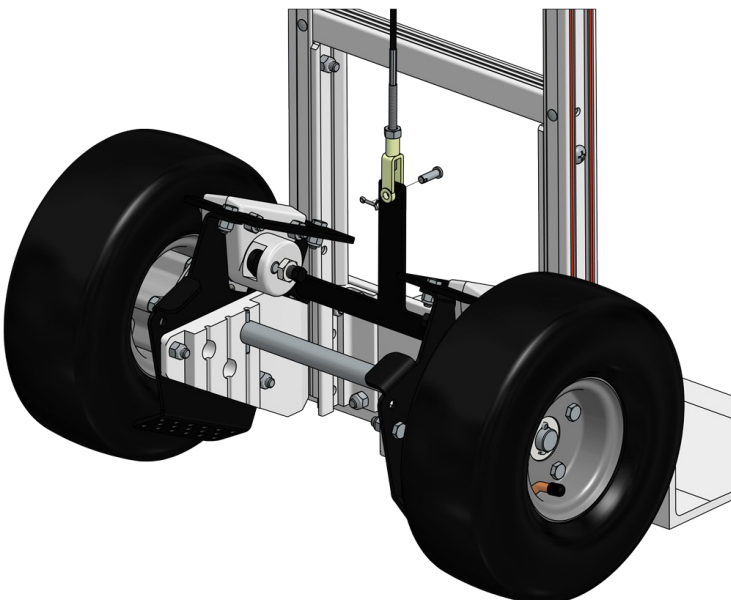
Bracket mounted brake handle



Vertical grip style brake handle



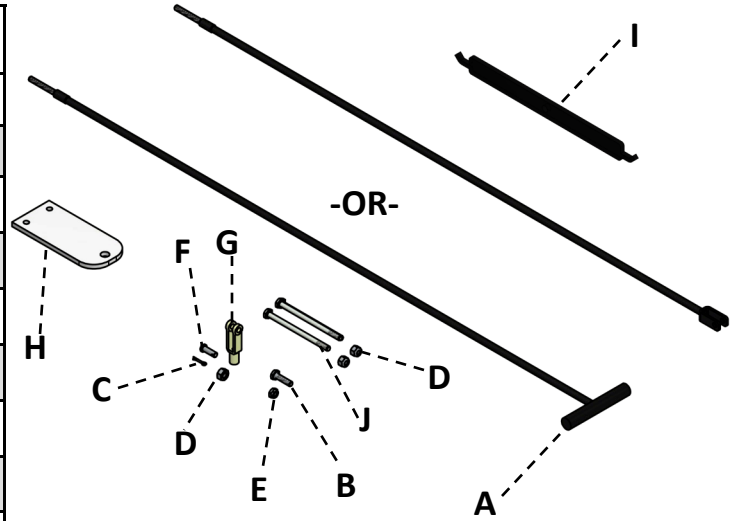
Single grip style brake handle



2. Thread nut (D) and yoke (G) on to the end of the cable assembly, threading until the yoke end aligns with the lower brake pull bar.
3. Secure the brake cable to the lower pull bar with clevis pin (F) and cotter pin (C). Adjust the tension on the cable to ensure the brake calipers do not touch the rotors until the brake handle is engaged.

Tee Handle Brake Assembly

Item	Description	Qty.	Part No.
A	Tee Handle	1	Various**
B	Hex Head Screw, 1/4-20 x 1"	1	8007-002*
C	Cotter Pin, Small	1	8008-003
D	Nut, 1/4"-20	1 or 3	8020-004*
E	Jam Nut, 1/4"-20	1	8055-004*
F	Clevis Pin	1	8211-003
G	Yoke	1	8217-002
H	Tee Handle Bracket	1	2006-716*
I	Pull bar, Disc Brake Tee Handle	1	2006-250
J	Hex Head Screw, 1/4-20 x 1"	2	8007-029*



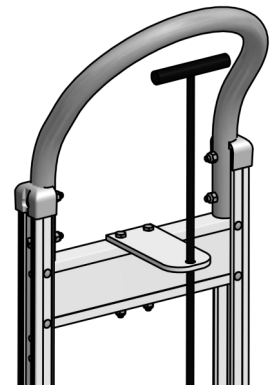
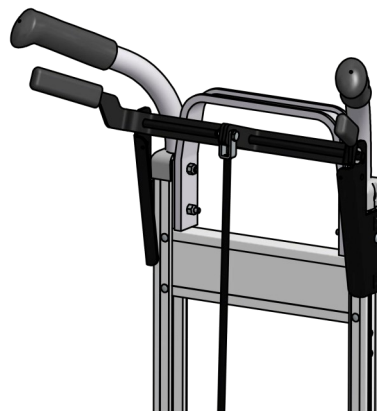
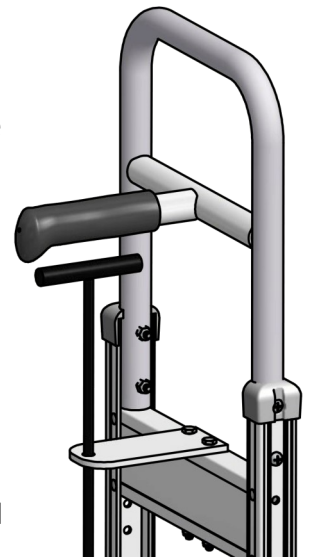
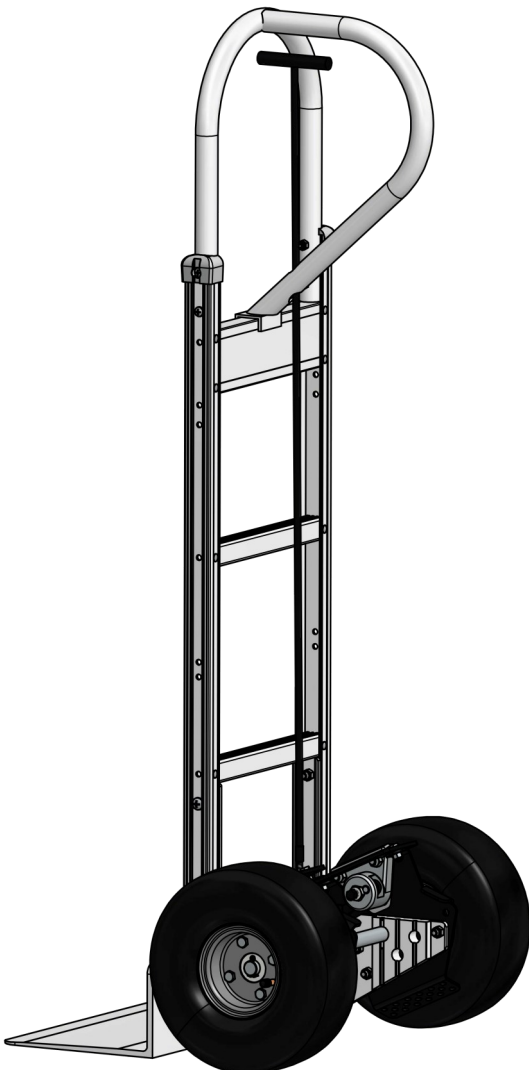
Tools Required:

- (1) Needle nose pliers
- (2) 7/16" wrench/socket

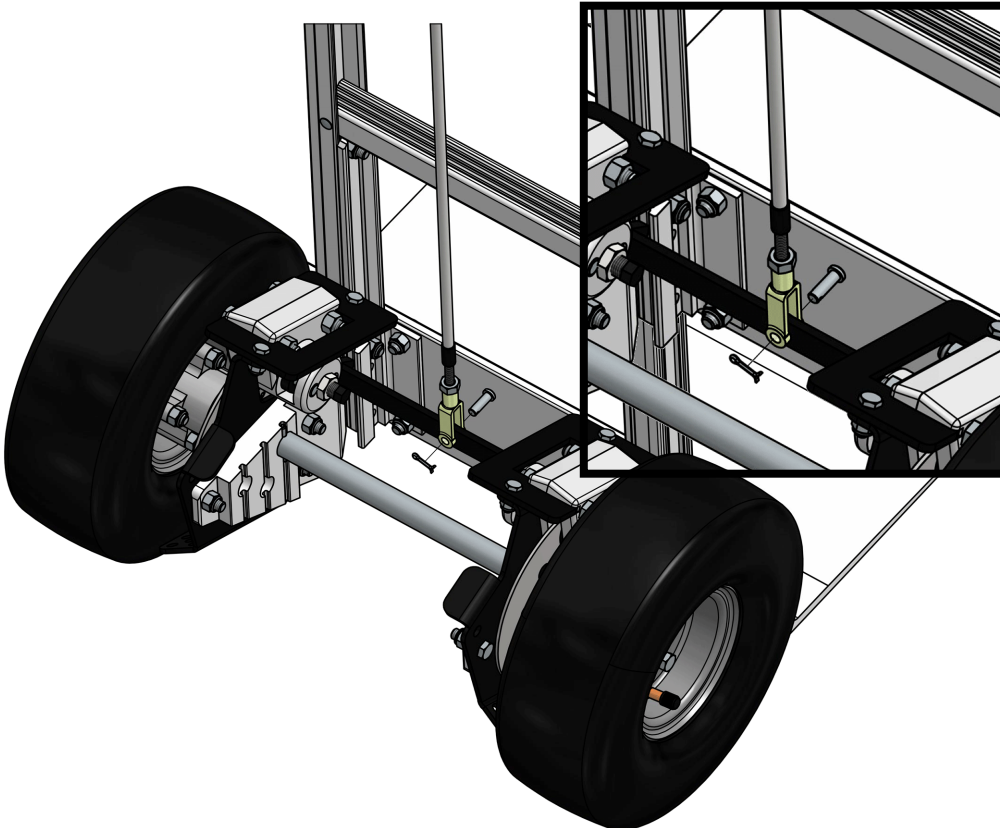
* Kit contents will vary based on the handle configuration ordered.

** Tee handle part number and length will vary based on the option ordered.

1. To attach a tee handle to tread brakes on a Liberator hand truck, first pass the tee handle (A) thru the hole in the frame bracket (H) or the hole in the vertical grip from the top. If bracket (H) is supplied, attach it to the frame with bolts (J) and nuts (D) before passing the tee handle thru the bracket.
2. For hand trucks with lever style brake grips attach the top of the rod to the lever with bolt (B) and nut (E).



Tee Handle Brake Assembly



3. Replace the "t" shaped pull bar with the tee handle pull bar (I).
4. Thread nut (D) and yoke (G) on to the end of the tee handle (A), threading until the yoke end aligns with the lower brake pull bar.
5. Secure the tee handle to the lower pull bar with clevis pin (F) and cotter pin (C). Adjust the height of the tee handle to ensure the brake shoes do not touch the wheels until the brake handle is engaged.

Brake Adjustments

Brake calipers come pre-adjusted from the factory but after extensive use adjustments may be needed to compensate for brake pad wear.

1. Loosen large jam nut on the side of the brake caliper, adjust the side screw to bring the pads closer to the rotor without touching the rotor. When engagement is improved hold the screw in place and tighten the jam nut.
2. Adjust opposite side, ensuring the pull bar is even.
3. Additional adjustment can be made by shortening the length of the brake cable by adjusting the height of the yoke/nut connecting the cable to the pull bar.

